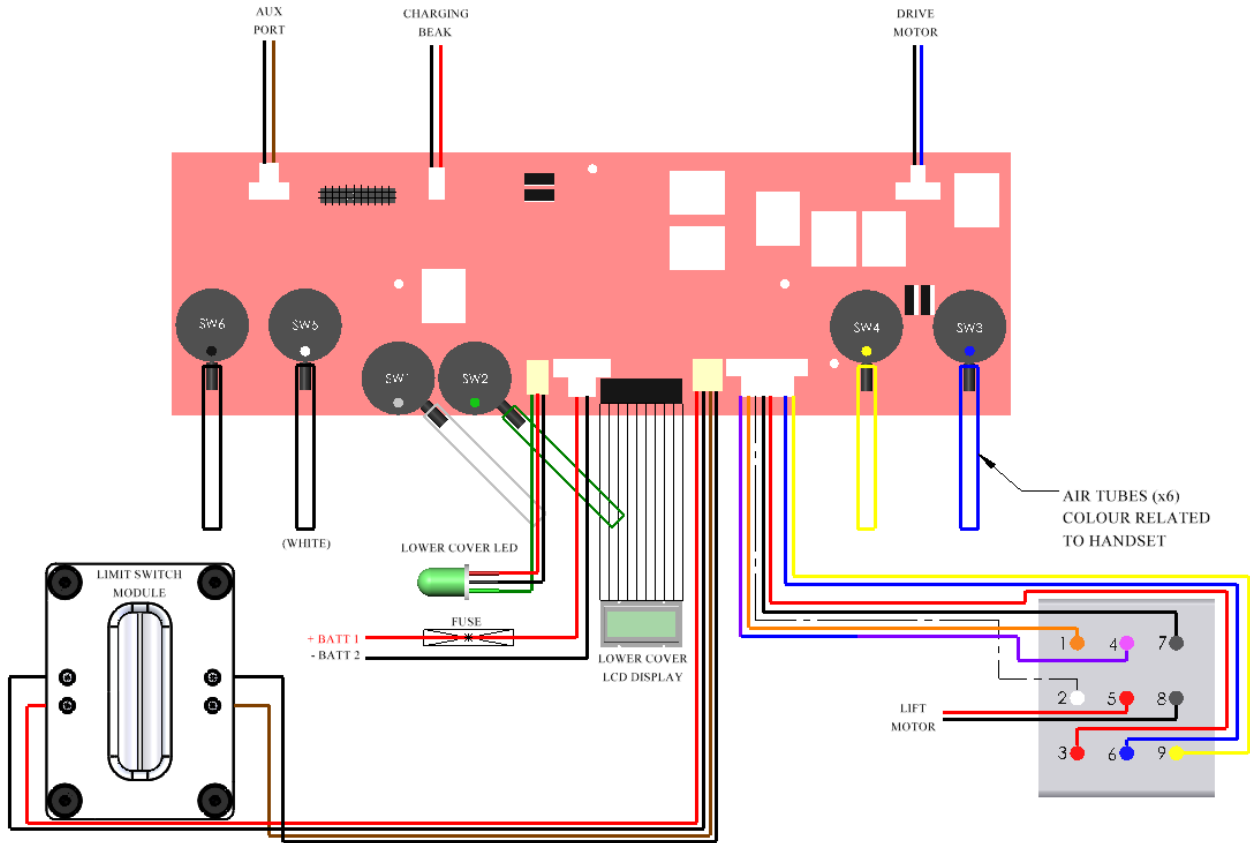


PCB and LED Testing Guide

This document will guide you on how to determine a fault with the PCB and LED of the ceiling lift. Follow the steps below to determine if the PCB and LED are functioning correctly.

The diagram below shows each connection port found on the PCB and what component plugs into each port. Ensure that each port is plugged in (where applicable).



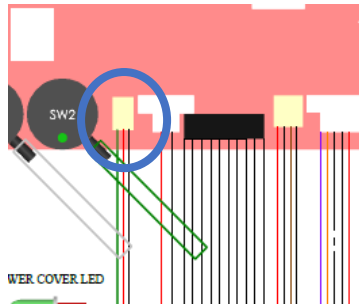
Each of the below troubleshooting guides requires a multi-meter to test power inputs and outputs from the board. Prepare the multi-meter by setting it to read DC volts, the red lead (positive) should be plugged into the voltage port, and the black lead (negative) should be plugged into the COM port. The display screen should show a reading of 0.0 volts.



Is the LED receiving power?

Step 1

Determine the location of the LED port, this is located at the bottom left of the board, to the left of the main power port.



Step 2

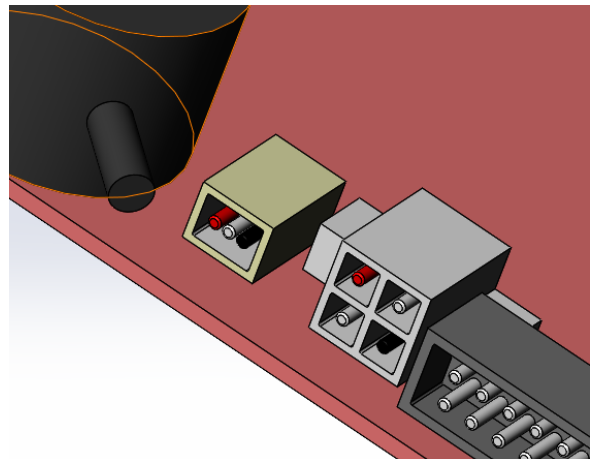
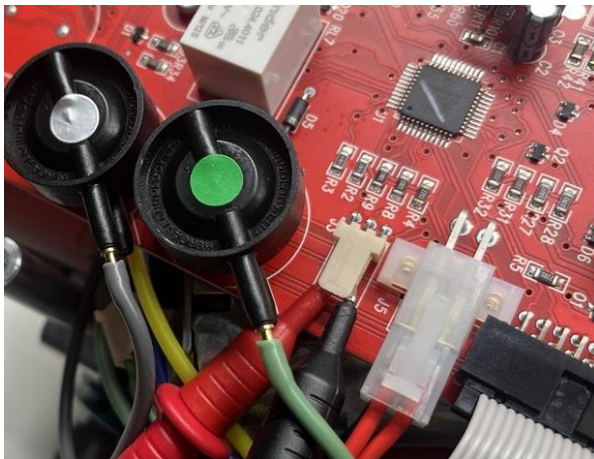
Ensure that the batteries are charged, the LCD display will show the current battery status. For best results, fully charge the batteries prior to testing.

Step 3

Disconnect the LED cable from the port.

Step 5

To determine if the voltage is running through the port. Touch the black (negative) lead onto the black wire terminal (third terminal), and the red (positive) lead onto the green wire terminal (first terminal). (See image for reference). This should display between **4.5 and 5v**.



If the LED port is not receiving at least **4.5v**, then there is a fault in the board. The board must be replaced.

If the LED port is receiving the correct voltage, then there is a fault with the LED. The LED assembly must be replaced.

Test Complete